

Filter **V SERIES** **S SERIES**

WIDEST CHOICES FOR DIFFERENT POOL SIZES
For residential and semi-commercial pools



Bobbin-wound
Reinforced
Fiberglass Tank

Max Operating Pressure
36psi (2.5bar)

Max Temperature
43°C (109°F)

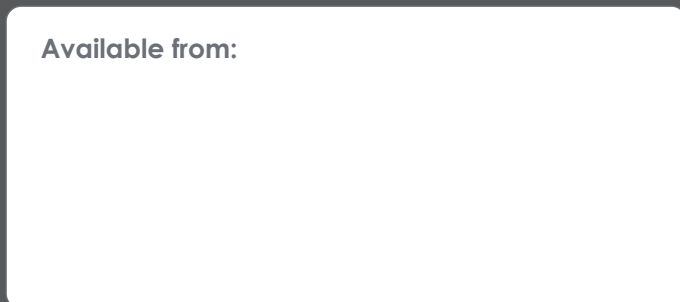
Suggested Size of Media
sand 0.5-0.8mm

Pool & Spa Equipment

EMAUX WATER TECHNOLOGY CO., LTD
ADDRESS G/F 41 TIN HAU TEMPLE ROAD,
NORTH POINT, HONG KONG
PHONE +852 2832 9880
www.emauxgroup.com

STRIVE FOR CLEAR WATER

Available from:

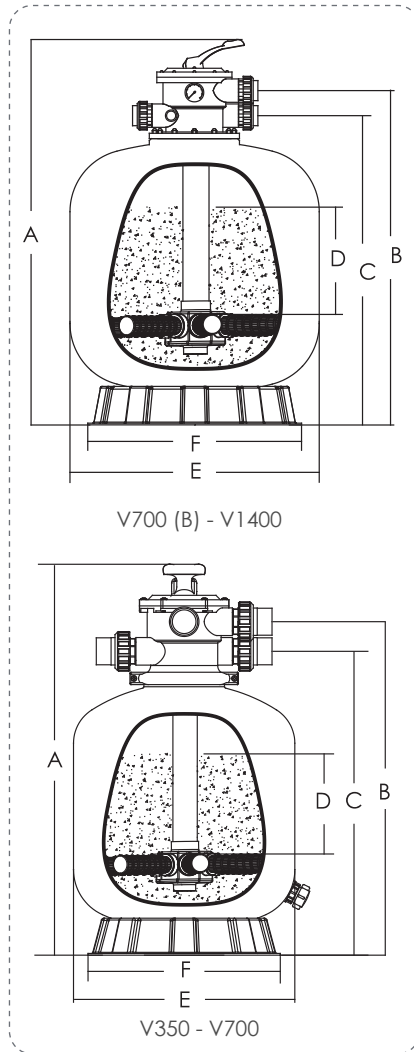


e Emaux
water technology

V and S Series Filters are manufactured by automatic bobbin winding technology from long-lasting and non-corrosive fiberglass and resin. The UV resistant composites allow the filter to resist extreme weather conditions for a long working life without corrosion.

Technical Information:

| Code (2.5 Bar) | Code (4 Bar) | Model | Filter Area (m ²) | Valve Connections | Max Flow Rate | Sand (kg) | |
|----------------|--------------|----------|-------------------------------|-------------------|---------------|------------------------|------|
| 88010101 | / | V350 | 0.09 | 1.5" / 50mm | 72lpm | 4.32m ³ /h | 20 |
| 88010102 | / | V400 | 0.13 | 1.5" / 50mm | 108lpm | 6.48m ³ /h | 35 |
| 88010103 | / | V450 | 0.16 | 1.5" / 50mm | 135lpm | 8.10m ³ /h | 45 |
| 88010104 | / | V500 | 0.22 | 1.5" / 50mm | 185lpm | 11.10m ³ /h | 85 |
| 88010105 | / | V650 | 0.32 | 1.5" / 50mm | 260lpm | 15.60m ³ /h | 145 |
| 88010106 | / | V650(PB) | 0.32 | 2.0" / 63mm | 267lpm | 16.00m ³ /h | 145 |
| 88010606 | / | V650(B) | 0.32 | 2.0" / 63mm | 267lpm | 16.00m ³ /h | 145 |
| 88010107 | / | V700 | 0.40 | 1.5" / 50mm | 325lpm | 19.50m ³ /h | 210 |
| 88010608 | / | V700(B) | 0.41 | 2.0" / 63mm | 336lpm | 20.16m ³ /h | 215 |
| 88010609 | / | V800 | 0.50 | 2.0" / 63mm | 415lpm | 24.90m ³ /h | 355 |
| 88010610 | 88015610 | V900 | 0.64 | 2.0" / 63mm | 520lpm | 31.20m ³ /h | 470 |
| 88010650 | 88015650 | V900(C) | 0.64 | 2.5" / 75mm | 533lpm | 32.00m ³ /h | 470 |
| 88010611 | 88015611 | V1000 | 0.79 | 2.0" / 63mm | 650lpm | 39.00m ³ /h | 620 |
| 88010651 | 88015651 | V1000(C) | 0.79 | 2.5" / 75mm | 658lpm | 39.50m ³ /h | 620 |
| 88010613 | 88015613 | V1200 | 1.13 | 2.0" / 63mm | 860lpm | 51.60m ³ /h | 860 |
| 88010652 | 88015652 | V1200(C) | 1.13 | 2.5" / 75mm | 941lpm | 56.50m ³ /h | 860 |
| 88010614 | 88015614 | V1400 | 1.54 | 2.5" / 75mm | 1155lpm | 69.30m ³ /h | 1400 |



V Series Filter is equipped with :

- 6-way clamp/bolt style multiport valve (1.5"MPV01, 2"MPV02, 2.5"MPV12)
- universal standard of union connection
- pressure gauge
- lateral system

Product Dimension:

| Model No | A mm | B mm | C mm | D mm | E mm | F mm |
|-------------|------|------|------|------|------|------|
| V350 | 726 | 619 | 550 | 160 | 355 | 298 |
| V400 | 757 | 640 | 590 | 175 | 410 | 390 |
| V450 | 814 | 698 | 638 | 210 | 455 | 390 |
| V500 | 845 | 730 | 670 | 235 | 535 | 500 |
| V650,V650PB | 950 | 835 | 775 | 300 | 635 | 500 |
| V650(B) | 957 | 815 | 731 | 300 | 635 | 500 |
| V700 | 1020 | 905 | 845 | 330 | 710 | 500 |
| V700(B) | 1092 | 960 | 877 | 390 | 723 | 500 |
| V800 | 1200 | 1085 | 1002 | 425 | 800 | 780 |
| V900 | 1300 | 1172 | 1090 | 480 | 900 | 780 |
| V900(C) | 1334 | 1242 | 1145 | 480 | 900 | 780 |
| V1000 | 1400 | 1340 | 1260 | 580 | 1000 | 780 |
| V1000(C) | 1434 | 1410 | 1160 | 580 | 1000 | 780 |
| V1200 | 1600 | 1550 | 1468 | 740 | 1200 | 1000 |
| V1200(C) | 1634 | 1620 | 1368 | 740 | 1200 | 1000 |
| V1400 | 1845 | 1683 | 1586 | 750 | 1400 | 1000 |



Suggested sand weight varies with the differences in filter media size. For reference only.



S Series Filter is equipped with :

- 6-way multiport valve (1.5"MPV03, 2"MPV04, 2.5"MPV13)
- universal standard of union connection
- pipng kit
- pressure gauge
- lateral system

Technical Information:

| Code (2.5 Bar) | Code (4 Bar) | Model | Filter Area (m ²) | Valve Connections | Max Flow Rate | Sand (kg) | |
|----------------|--------------|----------|-------------------------------|-------------------|---------------|------------------------|-----|
| 88010703 | / | S450 | 0.16 | 1.5" / 50mm | 135lpm | 8.1m ³ /h | 45 |
| 88010704 | / | S500 | 0.22 | 1.5" / 50mm | 185lpm | 11.10m ³ /h | 85 |
| 88010705 | / | S650 | 0.32 | 1.5" / 50mm | 260lpm | 15.60m ³ /h | 145 |
| 88010707 | / | S700 | 0.40 | 1.5" / 50mm | 325lpm | 19.50m ³ /h | 210 |
| 88011208 | / | S700(B) | 0.41 | 2.0" / 63mm | 336lpm | 20.16m ³ /h | 215 |
| 88011209 | / | S800 | 0.53 | 2.0" / 63mm | 435lpm | 24.10m ³ /h | 355 |
| 88011210 | 9011105 | S900 | 0.66 | 2.0" / 63mm | 495lpm | 29.70m ³ /h | 470 |
| 88011250 | 9011108 | S900(C) | 0.66 | 2.5" / 75mm | 550lpm | 33.00m ³ /h | 470 |
| 88011311 | 9011307 | S1000 | 0.82 | 2.0" / 63mm | 670lpm | 40.20m ³ /h | 620 |
| 88011351 | 9011308 | S1000(C) | 0.82 | 2.5" / 75mm | 683lpm | 41.00m ³ /h | 620 |
| 88011313 | 9011309 | S1200 | 1.13 | 2.0" / 63mm | 880lpm | 52.80m ³ /h | 860 |
| 88011352 | 9011310 | S1200(C) | 1.13 | 2.5" / 75mm | 975lpm | 58.50m ³ /h | 860 |

Product Dimensions:

| Model No | A mm | B mm | C mm | D mm | E mm | F mm | G mm |
|----------|------|------|------|------|------|------|------|
| S450 | 360 | 420 | 730 | 210 | 455 | 390 | 125 |
| S500 | 390 | 450 | 770 | 235 | 535 | 500 | 125 |
| S650 | 430 | 490 | 850 | 300 | 635 | 500 | 125 |
| S700 | 450 | 510 | 960 | 330 | 710 | 500 | 125 |
| S700(B) | 520 | 606 | 890 | 390 | 723 | 500 | 220 |
| S800 | 560 | 646 | 1050 | 425 | 820 | 780 | 220 |
| S900 | 610 | 696 | 1180 | 480 | 920 | 780 | 220 |
| S900(C) | 673 | 744 | 1180 | 380 | 920 | 780 | 236 |
| S1000 | 700 | 770 | 1220 | 580 | 1020 | 780 | 220 |
| S1000(C) | 773 | 844 | 1220 | 480 | 1020 | 780 | 236 |
| S1200 | 820 | 1005 | 1410 | 740 | 1200 | 1000 | 220 |
| S1200(C) | 836 | 1079 | 1410 | 640 | 1200 | 1000 | 236 |

Suggested sand weight varies with the differences in filter media size. For reference only.

Bobbin-Wound Filter

is manufactured by computerized fiberglass filament winding technology. This provides the mechanical strength of the filter tank and its ability to withstand pressure.

