

گروه صنعتی

دیزل ساز



آدرس : تهران خیابان سعدی جنوبی مجتمع تجاری اداری سعدی طبقه دوم واحد ۲۰۱

روابط عمومی : ۰۲۱-۳۳۹۷۵۶۰۳ / ۰۲۱-۳۳۹۷۵۶۰۴ / ۰۲۱-۳۳۹۴۲۶۴۰

www.avinpump.com

DEN32

TYPE DEN	P2 nom.		P1 max	I	Q (m ³ /h - l/min)																								
	HP	KW			0	4.5	6	7.5	9	12	15	18	21	24	27	30	33	36	156	168									
			0	75	100	125	150	200	250	300	350	400	450	500	550	600	2600	2800											
				3x400V 50 HZ	H (m)																								
32-160C	2	1.5	2.3	4	24.7	24.4	24.1	23.6	23	21.5	19.6	17.2	14.1																
32-160B	3	2.2	2.9	5.2	29			28.5	28	27.3	25.7	23.8	21.4	18.5	14.8														
32-160A	4	3	4.1	7.1	36.8			36.4	36	35.4	34.2	32.8	31.1	28.8	26	22.3													
32-200C	5.5	4.0	4.9	8.8	40.1			39.7	39.6	39.3	38.3	36.9	35.2	33.0	30.4	27.6													
32-200B	7.5	5.5	7.0	12.4	50.1			50.2	50.1	49.9	49.3	48.0	46.4	44.5	42.4	39.8	37.2												
32-200A	10	7.5	8.5	15.0	58.6			59.0	58.9	58.8	58.2	57.1	55.5	53.4	51.1	48.4	45.6	42.5											
32-250C	12.5	9.2	11.9	20.1	70			68.5	68.0	67.0	65.5	63.5	61	58	50	36.5													
32-250B	15	11	14.4	24.2	82			81.0	80.5	79.5	78.5	77.0	74.5	71.9	65	52.5													
32-250A	20	15	18.1	30.1	93.0			92.5	92.0	91.5	90.5	89.5	87.5	85	78.5	66													

~ 2900 r.p.m.

DEN40

TYPE DEN	P2 nom.		P1 max	I	Q (m ³ /h - l/min)																									
	HP	KW			0	4.5	6	7.5	9	12	15	18	21	24	27	30	33	36	39	42										
			0	75	100	125	150	200	250	300	350	400	450	500	550	600	650	700												
				3x400V 50 HZ	H (m)																									
40-125B	3	2.2	2.9	5.2	20.7																									
40-125A	4	3	4.1	7.1	25.2			21.3	21.2	21.0	20.6	20.1	19.4	18.7	17.9	17.0														
40-160B	4	3.0	4.4	7.4	30.0			25.8	25.8	25.6	25.4	24.9	24.4	23.7	22.9	22.0	21.1													
40-160A	5.5	4.0	5.7	9.9	35.4			30.1	30.0	29.6	29.0	28.2	27.1	25.9	24.4	22.8	21.0													
40-200B	7.5	5.5	7.4	12.7	44.7			35.6	35.5	35.3	35.0	34.2	33.2	32.0	30.6	29.0	27.3	25.4												
40-200A	10	7.5	9.8	16.5	57.7			44.9	44.8	44.6	44.0	42.9	41.6	40.0	38.1	36.1	33.6	30.8	27.9											
40-250B	15	11.0	14.4	24.2	75.5			57.7	57.5	57.1	56.3	55.4	54.1	52.5	50.5	48.5	45.9	43.3	40.3											
40-250A	20	15.0	19.0	32.0	91.5			74.6	74.2	73.5	72.7	71.7	70.4	69.0	67.2	65.0	62.5	59.5	56.0											
							90.4	89.9	89.3	88.5	87.5	86.6	85.5	84.0	82.5	80.5	78.5	76.0												

آوین پمپ نمایندگی رسمی شرکت دیزل ساز

شماره تلفن: 021-33975604 / 021-33975603

DEN50

TYPE DEN	P2 nom.		P1 max	I 3x400V 50 HZ	Q (m ³ /h - l/min)																	
	HP	KW	KW		H (m)																	
					0	12	15	18	21	24	27	30	33	36	39	42	48	54	60	66	72	78
50-125B	4	3	4.2	7.1	19.8	20.2	20.2	20.1	20.0	19.8	19.5	19.3	18.8	18.5	18.0	17.6	16.5	15.3	14.0	12.5	10.8	
50-125A	5.5	4	5.5	9.6	24.8	25.2	25.2	25.1	25.0	24.8	24.6	24.3	23.9	23.5	23.2	22.7	21.8	20.7	19.4	17.9	16.2	
50-160B	7.5	5.5	6.7	11.6	31.1				32.1	32.0	31.7	31.4	31.0	30.4	29.7	28.9	27.3	25.3	23.1	20.7	18.0	15.2
50-160A	10	7.5	9.4	15.8	36.7				37.9	37.8	37.7	37.4	37.1	36.6	36.1	35.4	33.9	32.1	30.0	27.8	25.3	22.6
50-200C	12.5	9.2	10.8	18.5	46.0				45.6	45.1	44.5	43.7	42.9	41.8	40.8	38.5	35.9	33.0	20.0	24.5		
50-200B	15	11	12.4	21	50.8				51.0	50.5	50.0	49.3	48.5	47.7	48.8	44.7	42.2	39.5	35.9	32.0		
50-200A	20	15	15.4	27	58.0				58.3	58.0	57.5	57.0	56.4	55.7	55.0	53.2	51.3	49.0	46.3	42.8	38.8	
50-250B	25	18.5	23	41.5	70.0				78.0	77.4	76.8	76.1	75.3	74.5	72.8	70.6	68.2	65.5	62.2	58.3		
50-250A	30	22	28.5	51.5	90.0				89.5	88.8	88.3	87.7	86.9	86.1	84.5	82.7	80.5	78	75.2	71.7		

DEN65

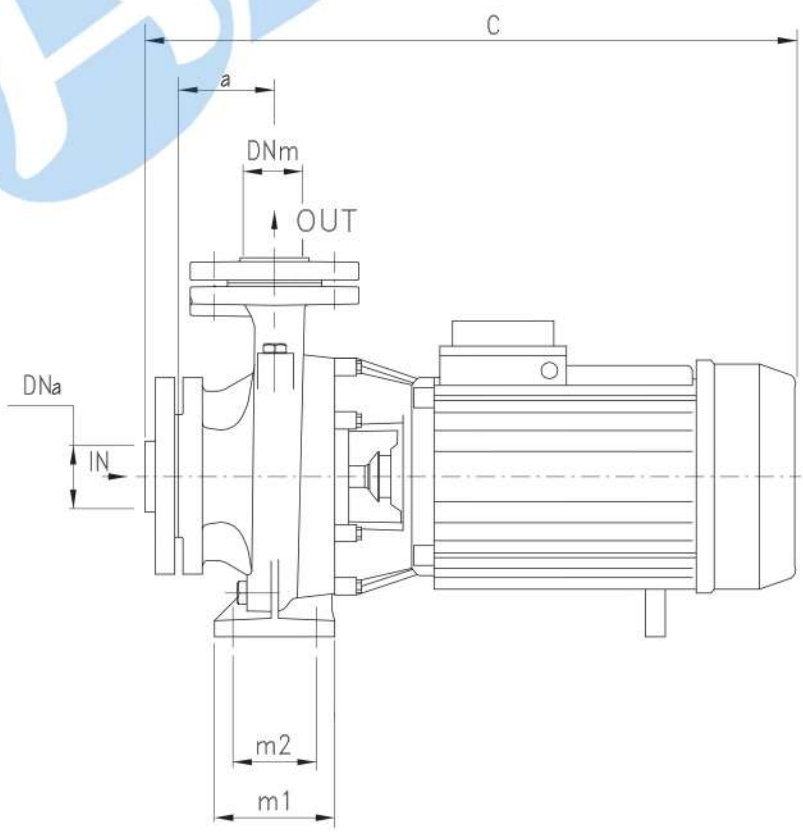
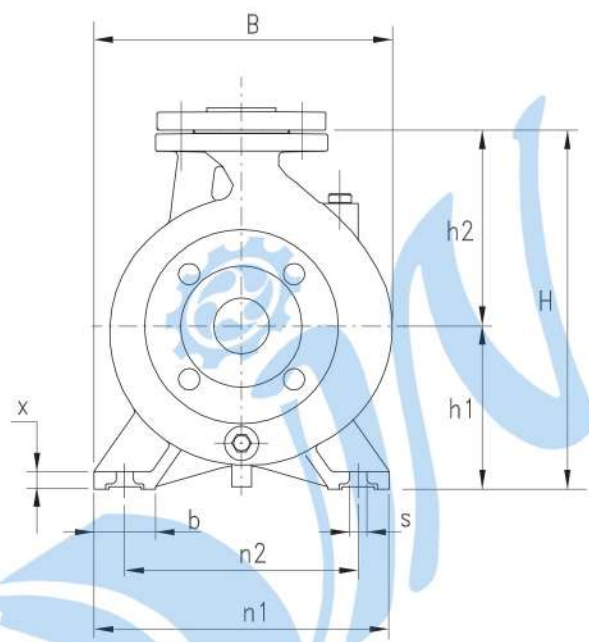
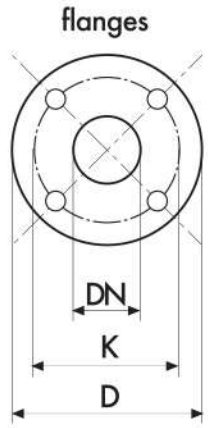
TYPE DEN	P2 nom.		P1 max	I 3x400V 50 HZ	Q (m ³ /h - l/min)																			
	HP	KW	KW		H (m)																			
					0	30	33	36	39	42	48	54	60	66	72	78	84	96	108	120	132	144	156	
65-125B	7.5	5.5	7.2	12.6	20.9	22.0	22.0	21.9	21.8	21.7	21.4	21.0	20.6	20.1	19.6	19.0	18.3	16.6	14.7	12.6				
65-125A	10	7.5	9.5	16.3	25.4	26.4	26.4	26.4	26.3	26.3	26.1	25.9	25.6	25.3	24.9	24.5	24.0	22.7	21.0	18.9	16.5			
65-160C	12.5	9.2	11.7	19.5	29.8					31.2	31.1	30.8	30.5	30.1	29.6	29.0	28.3	26.6	24.6	22.1	19.3	16.0		
65-160B	15	11.0	13.0	22.5	33.0					34.6	34.4	34.2	34.0	33.7	33.3	32.8	32.1	30.6	28.8	26.7	24.1	21.1		
65-160A	20	15.0	18.0	30.0	39.2					40.6	40.6	40.4	40.2	40.0	39.7	39.4	38.9	37.7	36.2	34.3	32.2	29.8		
65-200C	20	15	18.6	31.4	45.3								46.3	45.7	45.1	44.3	43.4	42.3	39.8	36.7	32.7	28.0		
65-200B	25	18.5	22.6	38.2	51.6								52.6	52.2	51.8	51.0	50.2	49.3	47.1	44.1	40.9	36.6	31.3	
65-200A	30	22.5	26.6	43.8	60.2								61.0	60.6	60.1	59.5	58.7	57.8	55.8	53.1	49.8	46.1	41.7	
65-250B	40	30	37.8	63.5	81.0								79.5	78.5	77.3	76.0	74.5	73.0	69.3	65.0	60.0	54.5	48.5	
65-250A	50	37	45	74.5	90.0								89.5	88.5	87.5	86.5	85.5	84.0	80.5	76.5	72.0	66.5	60.5	54.0

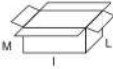
آوین پمپ نمایندگی رسمی شرکت دیزل ساز

شماره تلفن: 021-33975604 / 021-33975603



DIMENSIONS (mm)				
DN	D	K	holes	
			n°	Ø
32	140	100	4	18
40	150	110	4	18
50	165	125	4	18
65	185	145	4	18
80	200	160	4	18
100	220	180	8	18



TYPE	DIMENSIONS (mm)																			Kg
	DNm	DNa	a	h1	h2	m1	m2	n1	n2	b	x	s	C	B	H	I	L	M		
32-160 C	32	50	80	132	160	100	70	240	190	50	12	14	490	240	292	520	260	355	38	
32-160 B	32	50	80	132	160	100	70	240	190	50	12	14	490	240	292	520	260	355	39	
32-160 A	32	50	80	132	160	100	70	240	190	50	12	14	490	240	292	520	260	355	42	
32-200 C	32	50	80	160	180	100	70	240	190	50	12	14	505	268	340	530	305	400	51.5	
32-200 B	32	50	80	160	180	100	70	240	190	50	12	14	520	268	340	615	310	460	61	
32-200 B	32	50	80	160	180	100	70	240	190	50	12	14	565	268	340	615	310	460	63	
32-200 A	32	50	80	160	180	100	70	240	190	50	12	14	520	268	340	615	310	460	67	
32-200 A	32	50	80	160	180	100	70	240	190	50	12	14	565	268	340	615	310	460	69	
32-250 C	32	50	100	180	225	125	95	320	250	65	12	14	625	305	405	665	335	535	83	
32-250 B	32	50	100	180	225	125	95	320	250	65	14	14	625	305	405	665	335	535	90	
32-250 A	32	50	100	180	225	125	95	320	250	65	14	14	625	305	405	665	335	535	95	
32-250 A	32	50	100	180	225	125	95	320	250	65	14	14	695	305	405	735	355	535	120	
40-125 C	40	65	80	112	140	100	70	210	160	50	12	14	495	220	252	520	260	355	36	
40-125 B	40	65	80	112	140	100	70	210	160	50	12	14	495	220	252	520	260	355	37	
40-125 A	40	65	80	112	140	100	70	210	160	50	12	14	495	220	252	520	260	355	40	
40-160 B	40	65	80	132	160	100	70	240	190	50	12	14	500	245	292	520	260	355	47	
40-160 A	40	65	80	132	160	100	70	240	190	50	15	14	500	245	292	520	260	355	50	
40-200 B	40	65	80	132	160	100	70	240	190	50	15	14	545	273	340	615	310	460	63	
40-200 B	40	65	100	160	180	100	70	265	212	50	15	14	590	273	340	615	310	460	65	
40-200 A	40	65	80	132	160	100	70	240	190	50	15	14	545	273	340	615	310	460	69	
40-200 A	40	65	100	160	180	100	70	265	212	50	15	14	590	273	340	615	310	460	71	
40-250 C	40	65	100	180	225	125	95	320	250	65	15	14	630	322	405	665	335	535	84	
40-250 B	40	65	100	180	225	125	95	320	250	65	15	14	630	322	405	665	335	535	91	
40-250 A	40	65	100	180	225	125	95	320	250	65	15	14	630	322	405	665	335	535	96	
40-250 A	40	65	100	180	225	125	95	320	250	65	15	14	700	322	405	735	355	535	121	
50-125 B	50	65	100	132	160	100	70	240	190	50	12	14	525	250	292	520	260	355	47	
50-125 A	50	65	100	132	160	100	70	240	190	50	12	14	525	250	292	520	260	355	50	
50-160 B	50	65	100	160	180	100	70	265	212	50	12	14	545	270	340	615	310	460	63	
50-160 B	50	65	100	160	180	100	70	265	212	50	12	14	590	270	340	615	310	460	65	
50-160 A	50	65	100	160	180	100	70	265	212	50	12	14	545	270	340	615	310	460	69	
50-160 A	50	65	100	160	180	100	70	265	212	50	12	14	590	270	340	615	310	460	71	
50-200 C	50	65	100	160	200	100	70	265	212	50	12	14	635	290	360	665	335	535	82	
50-200 B	50	65	100	160	200	100	70	265	212	50	12	14	635	290	360	665	335	535	89	
50-200 A	50	65	100	160	200	100	70	265	212	50	12	14	635	290	360	665	335	535	94	
50-200 A	50	65	100	160	200	100	70	265	212	50	12	14	705	290	360	735	355	535	122	
50-250 C	50	65	100	180	225	125	95	320	250	65	14	14	705	332	405	735	355	535	125	
50-250 B	50	65	100	180	225	125	95	320	250	65	14	14	750	332	405	815	355	535	140	
50-250 A	50	65	100	180	225	125	95	320	250	65	14	14	750	332	405	815	355	535	149	
65-125 B	65	80	100	160	180	125	95	280	212	65	14	14	560	280	340	615	310	460	62	
65-125 B	65	80	100	160	180	125	95	280	212	65	14	14	605	280	340	615	310	460	64	
65-125 A	65	80	100	160	180	125	95	280	212	65	14	14	560	280	340	615	310	460	68	
65-125 A	65	80	100	160	180	125	95	280	212	65	14	14	605	280	340	615	310	460	70	
65-160 C	65	80	100	160	200	125	95	280	212	65	14	14	635	290	360	665	335	535	84	
65-160 B	65	80	100	160	200	125	95	280	212	65	14	14	635	290	360	665	335	535	90	
65-160 A	65	80	100	160	200	125	95	280	212	65	14	14	635	290	360	665	355	535	95	
65-160 A	65	80	100	160	200	125	95	280	212	65	14	14	705	290	360	735	355	535	120	
65-200 C	65	80	100	180	225	125	95	320	250	65	14	14	675	330	405	735	355	535	92	
65-200 C	65	80	100	180	225	125	95	320	250	65	14	14	705	330	405	735	355	535	122	
65-200 B	65	80	100	180	225	125	95	320	250	65	14	14	750	330	405	815	355	535	138	
65-200 A	65	80	100	180	225	125	95	320	250	65	14	14	750	330	405	815	355	535	148	
65-250 B	65	80	100	200	250	160	120	360	280	80	16	19	850	370	450	850	380	490	239	
65-250 A	65	80	100	200	250	160	120	360	280	80	16	19	850	370	450	850	380	490	253	
80-160 E	80	100	125	180	225	125	95	320	250	65	14	14	665	330	405	665	335	535	92	
80-160 D	80	100	125	180	225	125	95	320	250	65	14	14	665	330	405	665	335	535	98.5	
80-160 C	80	100	125	180	225	125	95	320	250	65	14	14	665	330	405	665	335	535	104	
80-160 C	80	100	125	180	225	125	95	320	250	65	14	14	735	330	405	735	355	535	129	
80-160 B	80	100	125	180	225	125	95	320	250	65	14	14	780	330	405	815	355	535	143	
80-160 A	80	100	125	180	225	125	95	320	250	65	14	14	780	330	405	815	355	535	152	
80-200 B	80	100	125	180	250	125	95	345	280	65	16	14	840	355	405	850	380	490	233	
80-200 A	80	100	125	180	250	125	95	345	280	65	16	14	840	355	405	850	380	490	247	